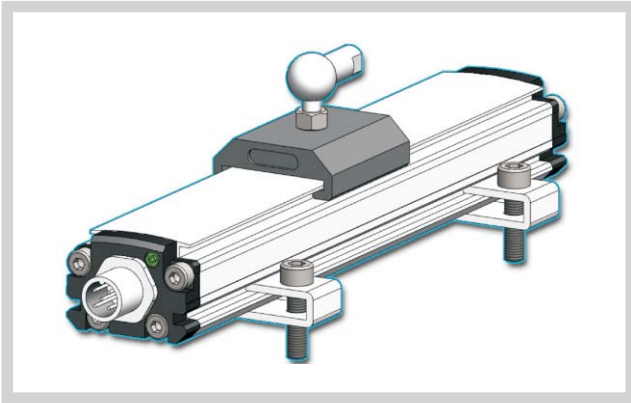


CS Series | Start/Stop: The pulse signal of Start/Stop



- **Product features**
 - External installation, Easy to use
 - Absolute position output, No need to return to zero
 - Non-Contact Sensing with Highest Durability
 - The pulse signal of Start/Stop
 - Non-linearity is less than 0.02% of the range
 - Repeatability is higher than 0.002% of the range
 - Low-power consumption design, Effectively reduce the system wenpiao
 - Slider magnet with joint bearings, can bear the big lateral stress
 - Suspended magnet, The allowable maximum vertical clearance can reach 15mm

■ Technical Data

Project name	Data/Index
Measurement parameters	
Measuring range	50~2500mm
Out put	Start/Stop
Resolution	0.1mm/0.01mm/0.005mm
linearity	< ±0.02% F.S. (Minimum ±60 μ m)
Repeatability	< ±0.002% F.S. (Minimum ±2 μ m)
Update time	Related to the range

Project name	Data/Index
Design, material	
Sensor head	built-in
Sensor stroke	Aluminium
Mounting flange	AISI 304
Installation	
Mounting direction	any
Mounting mode	Screw mounted, M5x20 or User customization
Position magnet	V-magnet, M-magnet, N-magnet

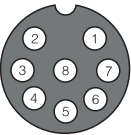
Electrical characteristics

Leading-out mode	cable outlet or 8 pin connector
Input voltage	24VDC (-15/+20%)
Current drain	< 60mA (With the range of variation)
Polarity protection	up to -30VDC
Overvoltage protection	up to 36VDC
Electric strength	500V (DC ground to machine ground)
Diagnostic display	LEDs beside connector

Operating conditions	
Magnet speed	any
Operating temperature	- 40°C ~ +85°C
Dew point/humidity	90%rel.humidity, no condensation
Temperature coefficient	< 30ppm/°C
Protection	IP65

■ Electrical connection

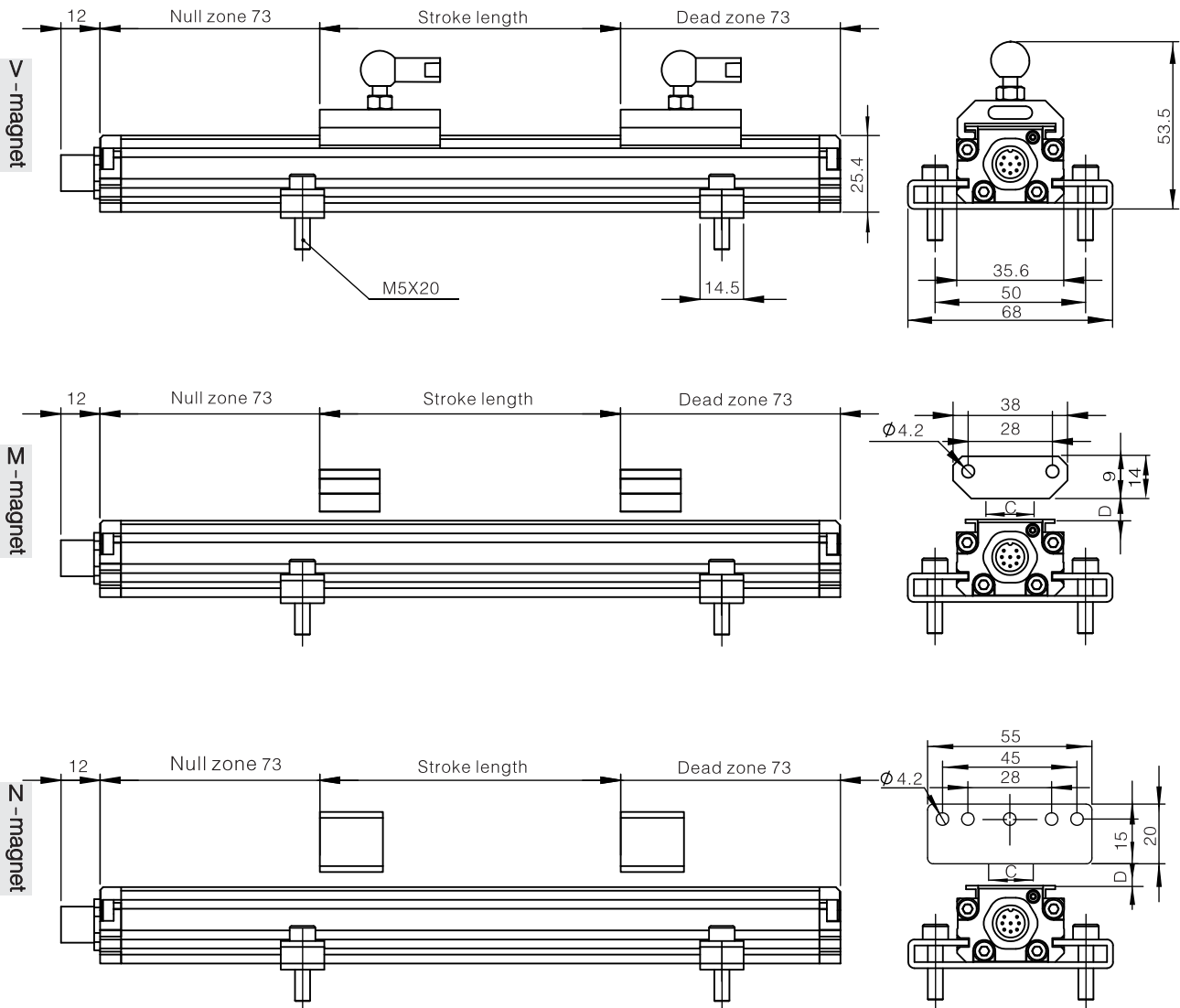
Start/Stop output pin definition

	Pin	Cable	Function
 <p>Male insert sensor plug rear of cable connector</p>	1	Yellow	(+) Start
	2	Grey	(-) Start
	3	Pink	(+) Stop
	4	Red	(-) Stop
	5	Green	NC
	6	Blue	NC
	7	Brown	+24Vdc
	8	White	GND

■ Status indicator

Indicator lamp status	Definition
The green on	Normal working
The green flashing	Program status
The red flashing	magnet out of effective range
The red on	magnet not detected or magnet damaged

■ Outline dimensions



■ Style guide



Beads form

- V = V-magnet
- M = M-magnet
- N = N-magnet

Measuring range

Unit mm, Less than four bits in front of zero, In5mm increments

Connection type

8 pin connector: (Supporting plug and Cable another order)

C 80 = 8 pin connector Start/Stop output plug

Cable outlet: (Less than two bits in front of zero, unit: M)

S __ = Standard cable+Cable length

T __ = High temperature cable+Cable length