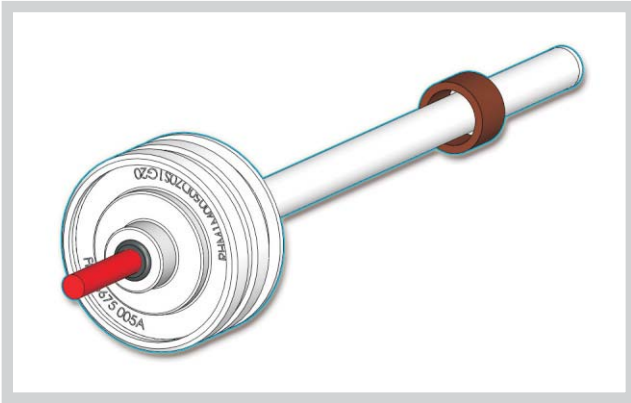


MH Series | analog output: 4~20mA, 0~10V



■ Product features

- Compact, A very small installation size
- Rugged and reliable, oil-resistant, dirt-resistant
- Absolute position output, No need to return to zero
- Non-Contact Sensing with Highest Durability

The electronic warehouse of MH series products is only $\varnothing 48 \times 23$, the installation space is very small. They apply to the built-in installation of hydraulic oil cylinder of every kinds of Engineering Machinery such as pavers, flatbeds, harvester, etc

■ Technical Data

Project name	Data/Index
Measurement parameters	
Measuring range	50~3250mm
Out put	4~20mA (min/max: 0/500 Ω) 0~10V (min > 5k Ω)
Resolution	16 bit
linearity	< $\pm 0.04\%$ F.S. (Minimum $\pm 100 \mu\text{m}$)
Repeatability	< $\pm 0.005\%$ F.S.
Update time	> 500Hz

Project name	Data/Index
Design, material	
Sensor head	AISI 304
Sensor stroke	AISI 304

Installation

Mounting direction	Type O sealing ring 40.87 X3.53, NBR80
Mounting mode	Tight set screws DIN 913
Position magnet	Ring magnets OD33, OD25.4, OD17.4

Operating conditions

Magnet speed	any
Operating temperature	- 40°C ~ +85°C
Dew point/humidity	90%rel.humidity, no condensation
Temperature coefficient	< 50ppm/°C
Protection	IP67
Pressure rating	350bar/700bar peak

Electrical characteristics

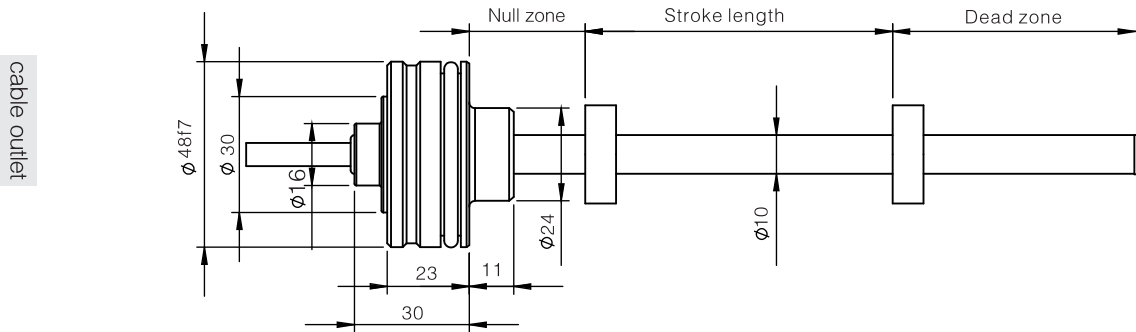
Leading-out mode	cable outlet
Input voltage	24VDC (-15/+20%)
Current drain	< 50mA (With the range of variation)
Polarity protection	up to -30VDC
Overvoltage protection	up to 36VDC
Electric strength	500V (DC ground to machine ground)
Diagnostic display	nothing

■ Electrical connection

Analog output pin definition

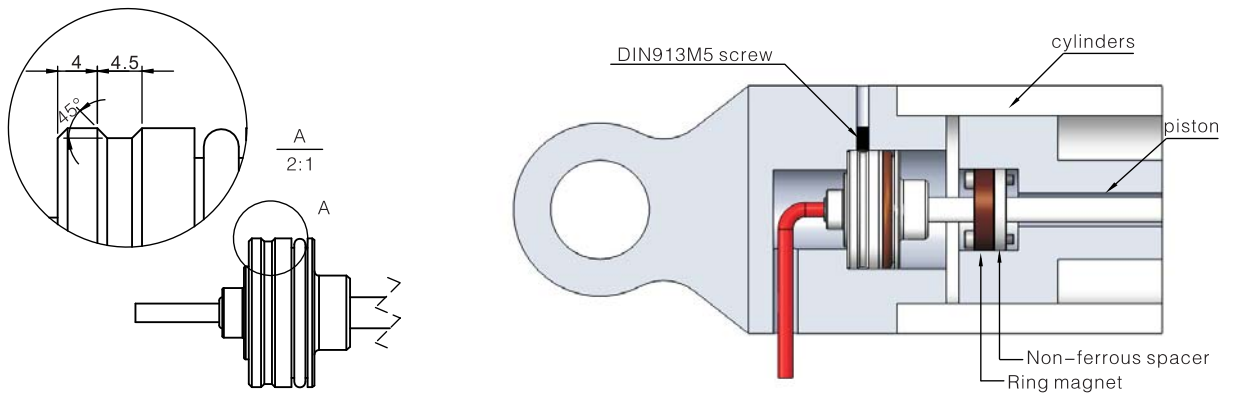
	Pin	Cable	Function
This product does not provide air plug output	1	Grey	(+) Output
	2	Pink	(-) Output
	3	Yellow	Prog.
	4	Green	Com.
	5	Brown	+24Vdc
	6	White	DC GND (0 Vdc)

■ Outline dimensions



Explain: MH series products bring type O sealing ring and block circle, and both of them need to be lubricate before installation. When it is installed, there is a need for special hollow plastic tools (such as: polyurethane) to help sensor into the hustle. For detailed installation method, please consult technical support.

■ Installation guide



■ Style guide

