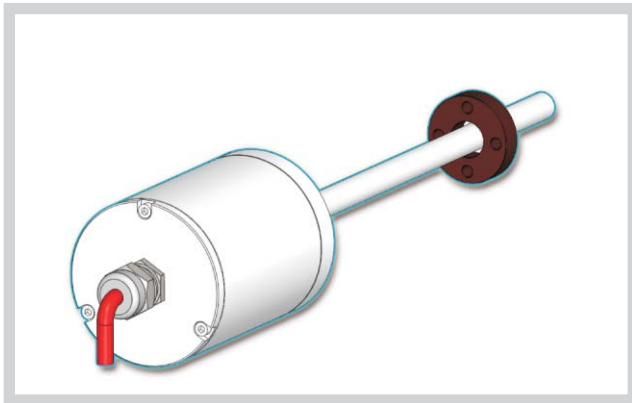


WH Series | analog output: 4~20mA, 0~20mA, 0~10V, -10V~+10V



Product features

- Rugged and reliable, Protection ability :IP69K
- Absolute position output, No need to return to zero
- Non-Contact Sensing with Highest Durability
- Non-linearity is less than 0.01% of the range
- Repeatability is higher than 0.001% of the range

WH series products are specially designed for waterproof applications. Cable output uses waterproof connector. The machine protection ability can reach IP69K. The structure is compact and the installation space is small.

Technical Data

| Project name | Data/Index |
|-------------------------------|---|
| Measurement parameters | |
| Measuring range | 25~7600mm |
| Out put | 0~20mA (min/max: 0/500 Ω) |
| | 4~20mA (min/max: 0/500 Ω) |
| | 0~10V (min > 5k Ω) |
| | -10~+10V (min > 5k Ω) |
| Resolution | 16 bit |
| linearity | < ±0.01% F.S. (Minimum ±50 μm) |
| Repeatability | < ±0.001% F.S. (Minimum ±1 μm) |
| Update time | 0.5ms(ms < 1m) 1.0ms(1m < ms < 2m) |
| | 2.0ms(2m < ms < 4m) 4.0ms(4m < ms < 7.6m) |

| Electrical characteristics | |
|-----------------------------------|--|
| Leading-out mode | cable outlet or 6 pin connector |
| Input voltage | 24VDC (-15/+20%) |
| Current drain | < 50mA (With the range of variation) |
| Polarity protection | up to -30VDC |
| Overvoltage protection | up to 36VDC |
| Electric strength | 500V (DC ground to machine ground) |
| Diagnostic display | nothing |

| Project name | Data/Index |
|-------------------------|--|
| Design, material | |
| Sensor head | AISI 304 |
| Sensor stroke | AISI 304 |
| Mounting flange | AISI 304 |
| Installation | |
| Mounting direction | any |
| Mounting mode | Screw mounted, M18X1.5 or User customization |
| Position magnet | Ring magnets OD33, OD25.4 |

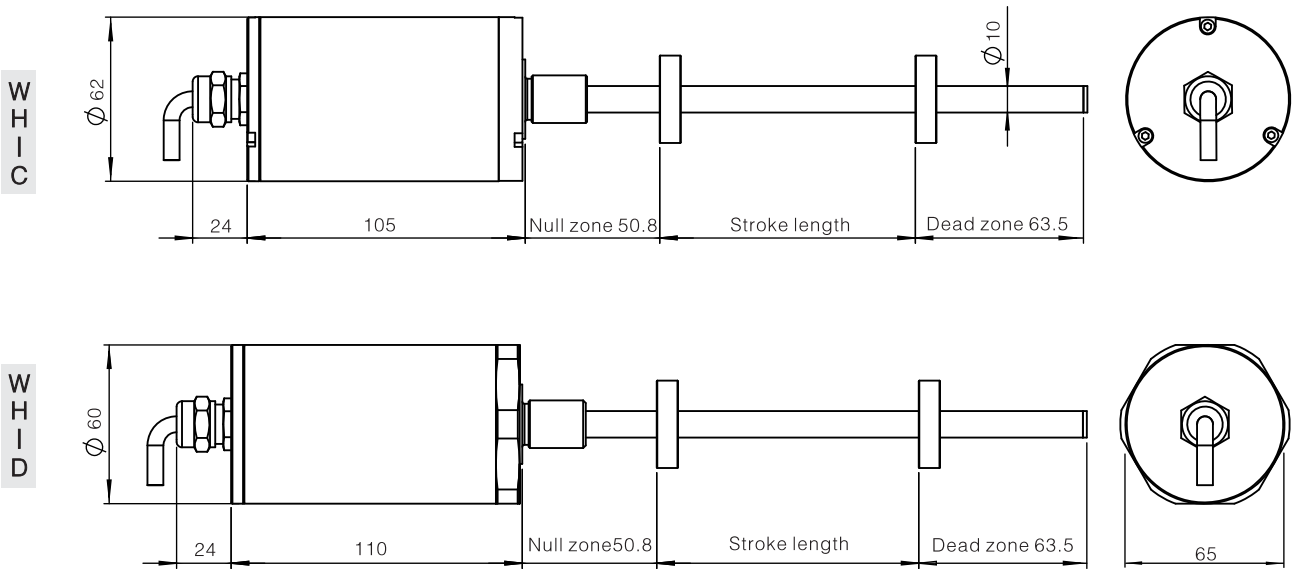
| Operating conditions | |
|-----------------------------|----------------------------------|
| Magnet speed | any |
| Operating temperature | -40°C ~ +85°C |
| Dew point/humidity | 90%rel.humidity, no condensation |
| Temperature coefficient | < 30ppm/°C |
| Protection | IP69K |
| Pressure rating | 350bar/700bar peak |

Electrical connection

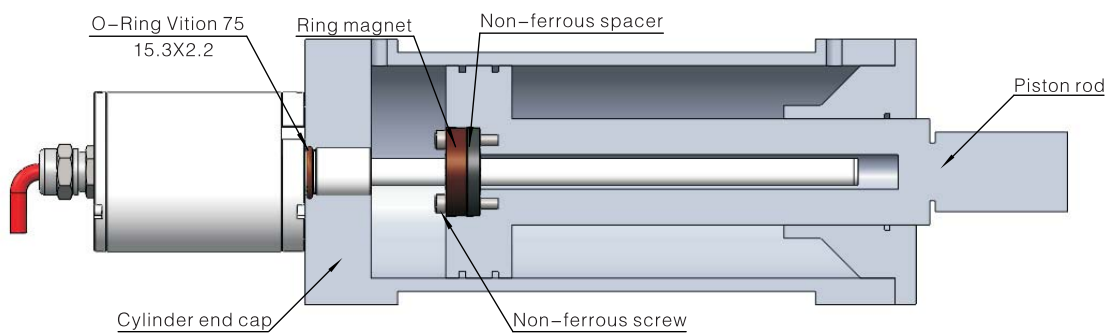
Analog output pin definition

| | Pin | Cable | Function |
|---|-----|--------|------------------|
| This product does not provide air plug output | 1 | Grey | (+) Output |
| | 2 | Pink | (-) Output |
| | 3 | Yellow | Prog. |
| | 4 | Green | Com. |
| | 5 | Brown | +24Vdc |
| | 6 | White | DC GND (0 Vdc) |

Outline dimensions



Installation guide



Style guide

